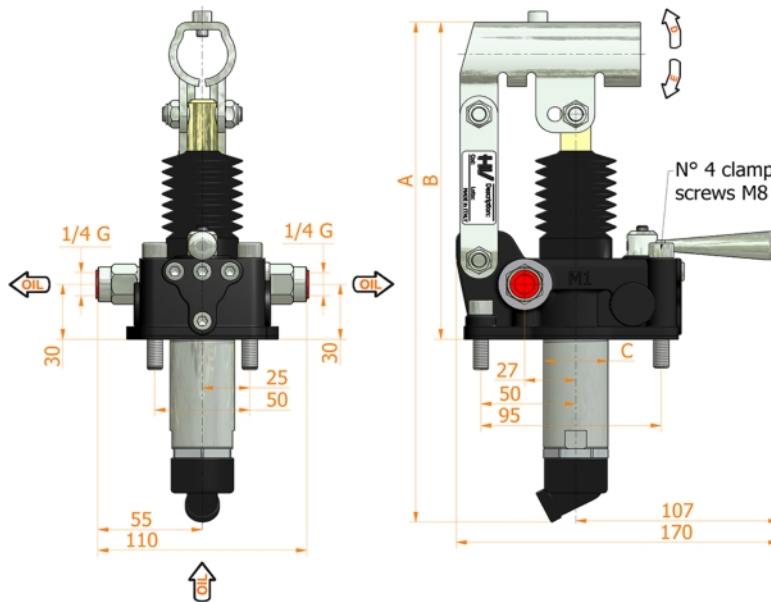
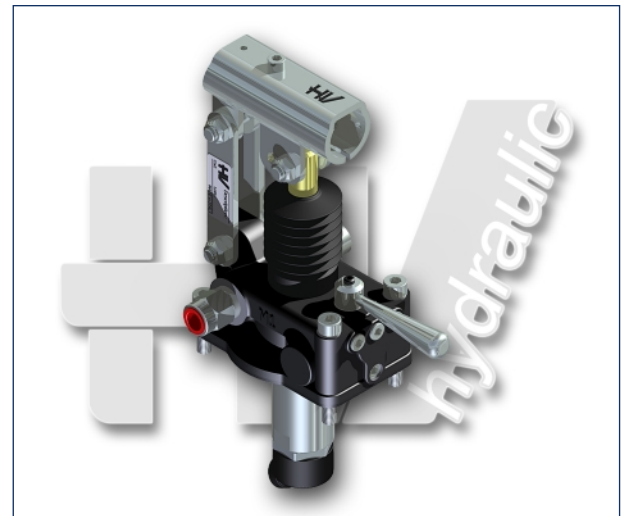
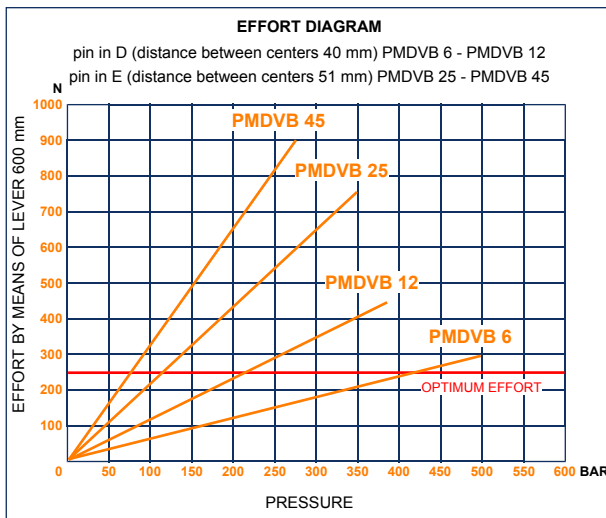
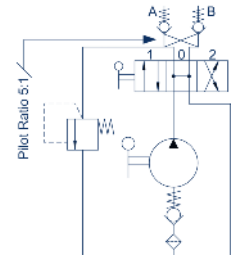




PMDVB 6-12-25-45 ca-byA-s

with 4/3 diverter opened centre
 with dual pilot check valve
 with brakes - with pressure relief valve
 double acting hand pump for a double acting cylinder
 for fixing to tank



Specifications:

- Cast iron body
- Piston treated with Niploy
- White zinc plated support lever
- Lever connection Ø 27
- White zinc plated external parts
- Standard colour black
- Oil tank mounting kit included
- With hydraulic brakes to operate under 50 bar pressure
- Pressure relief valve standard setting: 100 bar

DISPLACEMENT cm ³	A mm	B mm	C mm	D °	E °	ACTUAL DISPLACEMENT cm ³	PRESSURE BAR		MASS KG	CODE WITHOUT BELLOWS	CODE WITH BELLOWS
							OPTIMAL	MAX			
6	253	166	34	26	31	6,970	420	500	3,400	6059.0306	6059.0307
12	253	166	34	26	31	12,095	220	380	3,400	6060.0306	6060.0307
25	273	172	34	30	30	25,280	120	350	3,450	6061.0306	6061.0307
45	283	172	40	45	33	44,532	80	280	3,500	6062.0306	6062.0307